

### Features

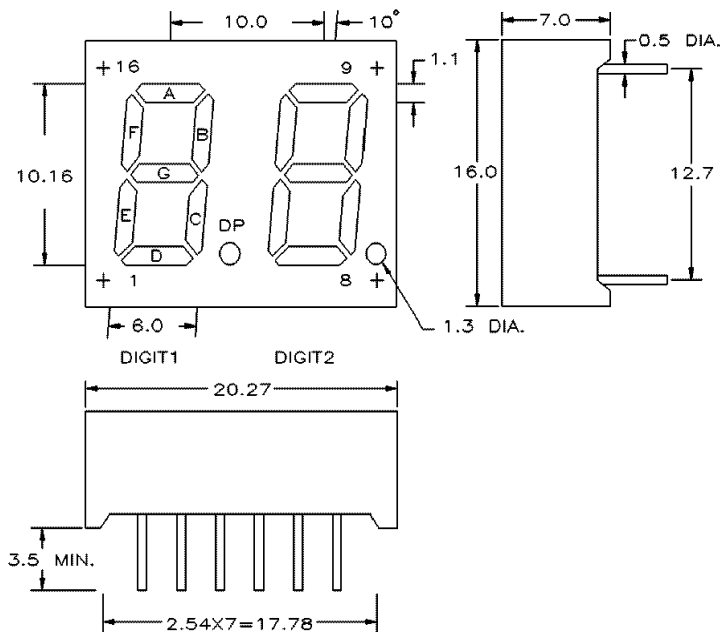
Additional Colors/Materials Available  
 Excellent Character Appearance  
 High Light Output  
 IC Compatible  
 Low Current Requirements  
 Other Face/Epoxy Colors Available  
 Right Hand Decimal  
 Duplex Drive

### Notes

All Dimensions are in millimeters.  
 Tolerance is  $\pm 0.25\text{mm}$  unless otherwise stated.  
 The slope angle of any pin may be  $\pm 5.0^\circ$  MAX.  
 Operating Temperature:  $-25 \sim +85$   
 Storage Temperature:  $-25 \sim +100$   
 Specifications are subject to change without notice.

Part Number	PWL $\lambda_p$	Material	Emitted Color	Face Colors		Maximum Ratings			Optical and Electrical Characteristics								Pin Out
				Epoxy Color	Surface Color	IF	VR	PD	Forward Voltage VF				Reverse Current IR		Luminous Intensity IV		
									typ. seg	IF@	typ. dec	IF@	max.	VR@	typ. seg	IF@	
MTN2240-11A	567	GaP	YG	White	Grey	30	5.00	85.00	2.10	20mA	-	-	100	5V	2.90	10mA	1
MTN2240-11C	567	GaP	YG	White	Grey	30	5.00	85.00	2.10	20mA	-	-	100	5V	2.90	10mA	2
MTN4240-11A	635	GaAsP	HR	White	Grey	30	5.00	85.00	2.10	20mA	-	-	100	5V	3.30	10mA	1
MTN4240-11C	635	GaAsP	HR	White	Grey	30	5.00	85.00	2.10	20mA	-	-	100	5V	3.30	10mA	2
MTN4240R-11A	635	GaAsP	HR	Red	Red	30	5.00	85.00	2.10	20mA	-	-	100	5V	3.30	10mA	1
MTN4240R-11C	635	GaAsP	HR	Red	Red	30	5.00	85.00	2.10	20mA	-	-	100	5V	3.30	10mA	2
MTN7240M-11A	660	GaAlAs	UR	White	Grey	30	4.00	70.00	1.70	20mA	-	-	100	4V	17.30	20mA	1
MTN7240M-11C	660	GaAlAs	UR	White	Grey	30	4.00	70.00	1.70	20mA	-	-	100	4V	17.30	20mA	2
<b>Units</b>	<b>nm</b>	<b>-</b>	<b>-</b>	<b>-</b>	<b>-</b>	<b>mA</b>	<b>V</b>	<b>mW</b>	<b>V</b>	<b>-</b>	<b>V</b>	<b>-</b>	<b><math>\mu</math>A</b>	<b>-</b>	<b>mcd</b>	<b>-</b>	<b>-</b>

### Package Dimensions and Pin Functions



#### PINOUT 1

COMMON ANODE

PIN NO. FUNCTION

1. CATHODE D
2. CATHODE DP
3. CATHODE E
4. CATHODE C
5. D2 COMMON ANODE
6. CATHODE B
7. CATHODE A
8. CATHODE F
9. CATHODE G
10. D1 COMMON ANODE

#### PINOUT 2

COMMON CATHODE

PIN NO. FUNCTION

1. ANODE D
2. ANODE DP
3. ANODE E
4. ANODE C
5. D2 COMMON CATHODE
6. ANODE B
7. ANODE A
8. ANODE F
9. ANODE G
10. D1 COMMON CATHODE

**Company Headquarters**  
 120 Broadway  
 Menands, New York 12204  
 Toll Free: 800.984.5337  
 Fax: 518.432.7454

**West Coast Sales Office**  
 950 South Coast Drive, Suite 265  
 Costa Mesa, California 92626  
 Toll Free: 800.984.5337  
 Fax: 714.850.9314